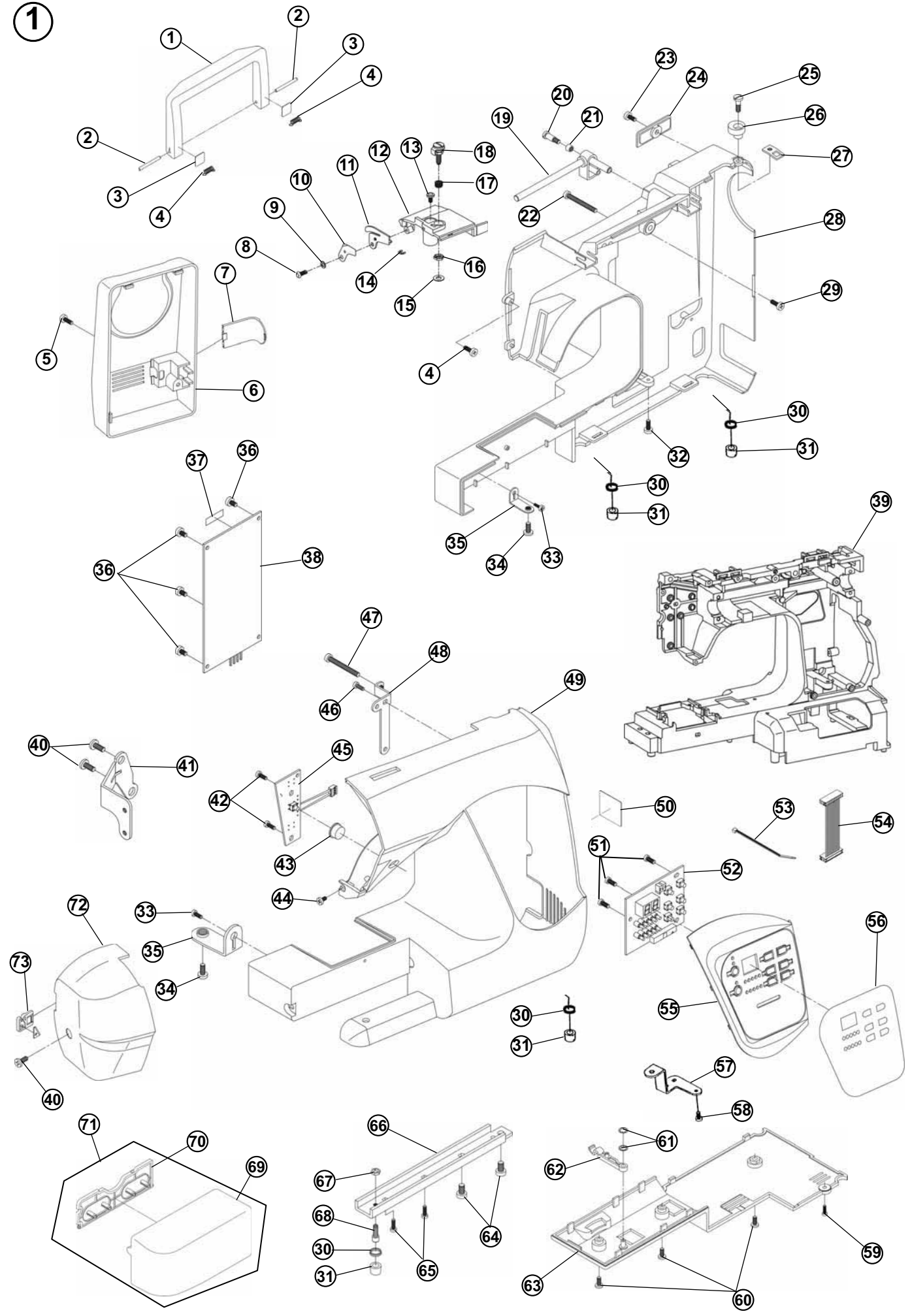


零件圖  
PARTS LIST

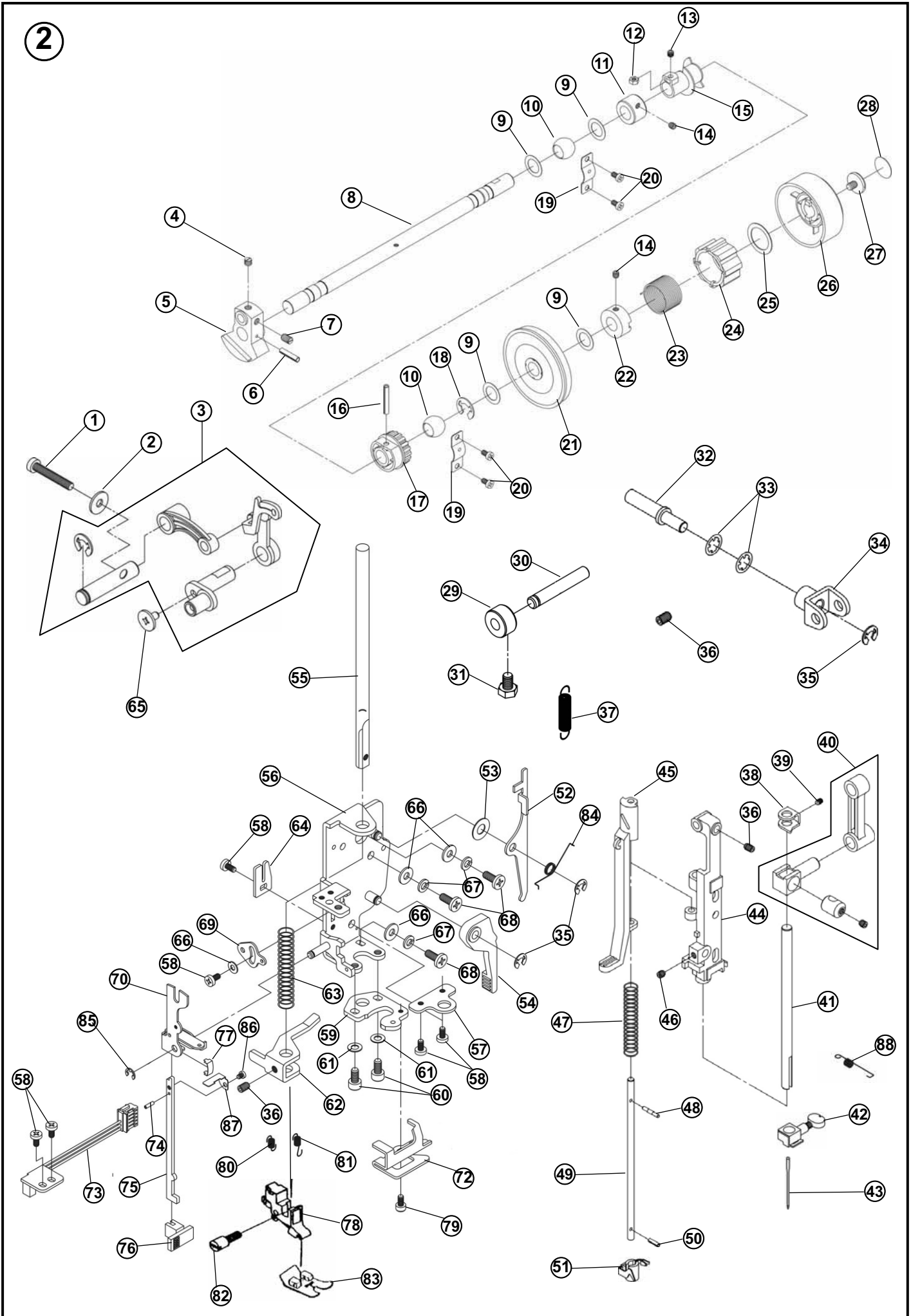


1



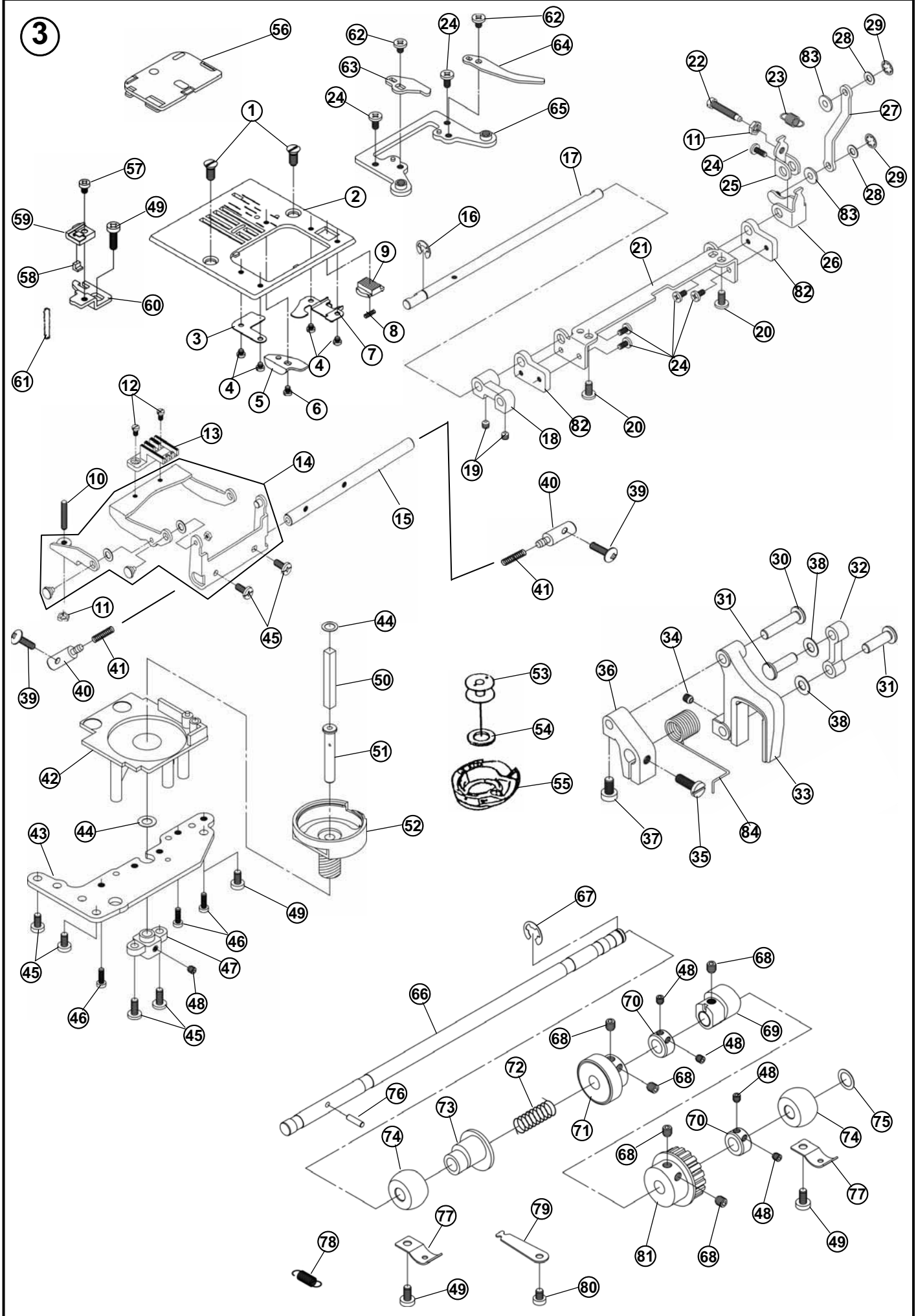
ref no. ---	part no. -----	name of parts -----
01	650010017	HANDLE
02	650011007	HANDLE PIN
03	650256006	HANDLE INSERT
04	650272008	HANDLE SETTING SPRING
05	000011901	SET SCREW
06	660071006	BOARD COVER
07	660072007	PC BOARD COVER
08	000011222	SET SCREW
09	000014007	WASHER
10	650009002	SPRING
11	650008001	THREAD GUIDE PLATE
12	680217008	THREADER COVER
13	000019057	SCREW
14	000000804	2.5D E RING
15	000014018	WASHER
16	000055000	NUT
17	650005008	NUT
18	650501102	THREAD GUIDE SHAFT COMP
19	650012019	SPOOL PIN
20	650005008	NUT
21	000030021	SET SCREW
22	000019150	SET SCREW
23	000011912	SET SCREW
24	680204002	BOBBIN WINDER ADJUST HOLE COVER
25	353128008	SET SCREW
26	380067002	BOBBIN WINDER STOPPER
27	650004007	FIX PLATE (A)
28	680231008	REAR COVER
29	000011901	SET SCREW
30	650257007	CUSHION SPRING
31	650013009	RUBBER FOOT
32	000011901	SET SCREW
33	000011222	SET SCREW
34	000016032	SCREW
35	650007000	FIX PLATE (C)
36	000011211	SET SCREW
37	680239017	STICKER
38	683602003	MAIN BOARD COMP.
39	650514005	650 ARM/BED
40	000016032	SCREW
41	680027009	FACE PLATE SUPPORTER PLATE
42	000011222	SET SCREW
43	653113009	START/STOP BUTTON
44	000016010	SCREW
45	683817106	REVERSE SWITCH COMP
46	000011222	SET SCREW
47	000019150	SET SCREW
48	660091002	FRONT PLATE FIXING PLATE
49	680244118	FRONT COVER (DRAWING)
50	683xxxxxxx	RATING PLATE
51	000011222	SET SCREW
52	680851000	FOOT CONTROLLER
53	351047006	BAND
54	680507008	CONNECTOR WIRE COMP.
55	680219000	PANEL
56	680260xxxx	PANEL PLATE
57	650006009	FIX PLATE (B)
58	301008000	SET SCREW
59	000011901	SET SCREW
60	000016032	SCREW
61	000012315	SNAP PING 5D
62	650026005	VERTICAL TRANSMISSION DIAL
63	650025015	BED
64	301143008	SET SCREW
65	000011233	SET SCREW
66	650022001	AID LEG
67	000055000	NUT
68	650023002	SET SCREW
69	660080008	EXTENTION TABLE
70	660081009	EXTENTION TABLE COVER
71	660502001	EXTENSION TABLE COMP.
72	680218009	FACE PLATE B
73	660503002	THREAD CUTTER

2



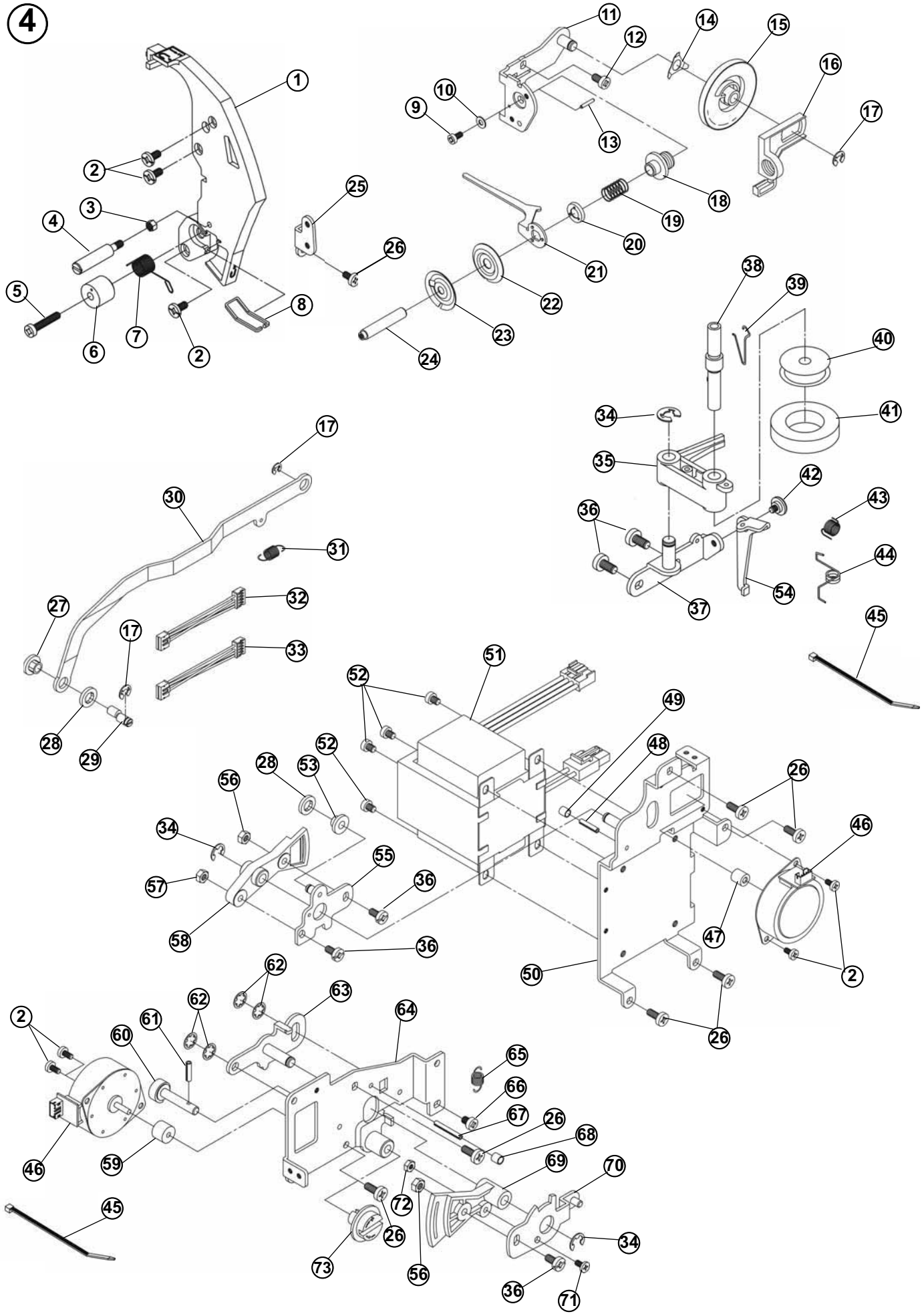
ref no.	part no.	name of parts			
01	000019183	SET SCREW	71	000000103	SNAP RING
02	230015007	WASHER	72	680166001	NEEDLE STOPPED PLATE
03	650509100	THREAD TAKE UP LEVER COMP	73	683816002	BH MOVED SENSE COMP
04	301068008	SET SCREW	74	000003265	SPRING PIN
05	301083009	THREAD TAKE-UP CRANK	75	680030005	BH CONNECTING ROD A
06	000003508	SPRING PIN 4*20	76	680029001	BH CONNECTING HANDLE
07	301084000	SET SCREW	77	680035000	BH CONNECTING ROD SPRING
08	650071005	UPPER SHAFT	78	J10092003	PRESSER FOOT HOLDER
09	301086002	NYLON WASHER	79	000015064	SET SCREW
10	250002003	FRONT BUSHING	80	680048006	SPRING
11	301340203	COLLAR	81	680049007	SPRING
12	301193003	NUT	82	610012004	SCREW
13	000023021	SET SCREW	83	610412008	Z/Z FOOT
14	301087003	SET SCREW	84	680179007	SPRING
15	680001007	UPPER SHAFT CAM	85	000000103	SNAP RING
16	000003807	SPRING PIN 2*14	86	000019172	SET SCREW
17	650073007	UPPER SHAFT TIMING GEAR	87	680036001	BH CONNECTING ROD SENSOR
18	000000907	"E" RING	88	680198002	SPRING
19	650079003	COLLAR RETAIN PLATE			
20	301008000	SET SCREW			
21	653125004	BELT PULLEY COMP.			
22	650076000	CLUTCH SHAFT COLLAR			
23	650078002	SPRING			
24	650077001	CLUTCH			
25	000014362	WASHER			
26	650080018	HANDWHEEL			
27	650081008	HAND WHEEL FIX SCREW			
28	650264018	BALANCE WHEEL DECOR. PLATE			
29	360018006	COLLAR 5*12 t=6.5			
30	650059007	PIN			
31	301049003	SET SCREW			
32	650193107	NEEDLE BAR ROD SHAFT			
33	000013110	WAVE WASHER			
34	650056107	NEEDLE BAR ROD SUPPORT			
35	000000206	SNAP RING 4D			
36	000023021	SET SCREW			
37	650065006	SPRING			
38	650061002	THREADING POSITIONER			
39	255004000	SCREW			
40	301503000	NEEDLE HOLDER			
41	650060001	NEEDLE BAR			
42	660505004	NEEDLE SETTER COMP.			
43	301244206	NEEDLE			
44	650058006	NEEDLE BAR ROD			
45	650062025	AUTO THREADER			
46	301046000	SET SCREW			
47	650064005	SPRING			
48	650192003	PIN			
49	650063004	THREADER BAR			
50	000003221	SPRING PIN			
51	660504003	THREAD REGULATOR			
52	680178006	RELEASE THREAD ROD A			
53	250128006	WASHER			
54	650051009	PRESSER BAR LIFTER			
55	660094005	PRESSER HOLDER			
56	680028103	PRESSER FIXED PLATE			
57	650316005	PRESSER BAR REGULATING PLATE			
58	000016010	SET SCREW			
59	660041100	NEEDLE-BAR CRANK PLATE			
60	000015019	SET SCREW			
61	301245001	WASHER			
62	650054002	PRESSER BAR HOLDER			
63	653042006	PRESSER BAR LIFTER SPRING			
64	650216004	STOP PLATE			
65	301100003	SET SCREW			
66	301009001	WASHER			
67	000021007	WASHER			
68	000016032	SET SCREW			
69	680033008	ADJUSTMENT PLATE			
70	680031109	B/H CONNECTING ROD			

3



ref no.	part no.	name of parts			
---	-----	-----			
01	301261003	SET SCREW 48	71	680160005	LOWER SHAFT PULLEY
02	680158000	NEEDLE PLATE	72	650109106	SPRING
03	660018005	SPRING PLATE (L)	73	650108002	FEED LIFTING CAM.
04	000019149	SET SCREW	74	610035003	UPPER SHAFT BEARING
05	660019006	BOBBIN CASE STOPPER PLATE	75	450062007	PLASTIC WASHER
06	000019172	SET SCREW	76	650110007	CAM SET PIN
07	660017004	SPRING PLATE (R)	77	650114001	LOWER SHAFT COLLAR
08	660016003	SPRING			RETAIN PLATE
09	610086010	RELEASE BLOCK	78	650130003	SPRING
10	000008031	SET SCREW	79	650131004	FEEDING BASE SPRING
11	000055000	NUT			FRAME PLATE
12	301175009	SET SCREW	80	301037008	SET SCREW
13	680157009	FEED DOG	81	650113000	LOWER SHAFT TIMING GEAR
14	650507005	FEEDING BASE COMP	82	680156008	FIXING PLATE B
15	650116003	LOWER SHAFT	83	680172000	NOISE REDUCTION PLATE
16	000000206	SNAP RING 5D	84	680201009	SPRING
17	680154006	SHAFT			
18	650134007	FEEDING INTERMEDIATE CRANK			
19	301046000	SET SCREW			
20	250087002	SET SCREW			
21	680155007	FIXING PLATE A			
22	000057024	SET SCREW			
23	680185006	SPRING			
24	000016010	SCREW			
25	680003009	TRANSPORT REGULATOR B			
26	680002008	TRANSPORT REGULATOR A			
27	680004000	TRANSPORT ROD			
28	J00009116	WASHER			
29	000012201	SNAP PING 4D			
30	650125005	FORKED FORKED ROD SHAFT			
31	650127007	FEEDING ADJUST SHAFT			
32	650126006	FEEDING ADJUST CRANK			
33	650124004	FORKED ROD			
34	301046000	SET SCREW			
35	301177001	SET SCREW			
36	650123003	FEED ROCK SHAFT CRANK			
37	301178002	SET SCREW			
38	000009043	WASHER			
39	250010004	SET SCREW			
40	650128008	LOWER SHAFT PIN			
41	650129009	SPRING			
42	650092002	LINTS FREE CAP			
43	650091001	SET PLATE			
44	000009032	WASHER			
45	000016032	SCREW			
46	000011233	SET SCREW			
47	650096006	SET BASE			
48	301087003	SET SCREW			
49	250087002	SET SCREW			
50	650094004	GREASE PIPE			
51	650095005	SHUTTLE SUPPORT SHAFT			
52	610071104	HOOK RACE BODY			
53	610081004	BOBBIN			
54	650258008	WASHER			
55	610504101	BOBBIN CASE COMP.			
56	660020000	SLIDE PLATE			
57	000017044	SET SCREW			
58	650315004	RUBBER			
59	650313002	SPRING PLATE			
60	650314003	SPRING PLATE BASE			
61	000003209	SPRING PIN 2.5*8			
62	000016009	SCREW			
63	650104101	BOBBIN CASE STOP PLATE			
64	650234101	BOBBIN CASE STOP PLATE			
65	650090000	NEEDLE PLATE FIX PLATE			
66	650105009	LOWER SHAFT			
67	000000608	SNAP RING			
68	301087003	SET SCREW			
69	650112009	FEED LIFTING CAM			
70	750015004	COLLAR			

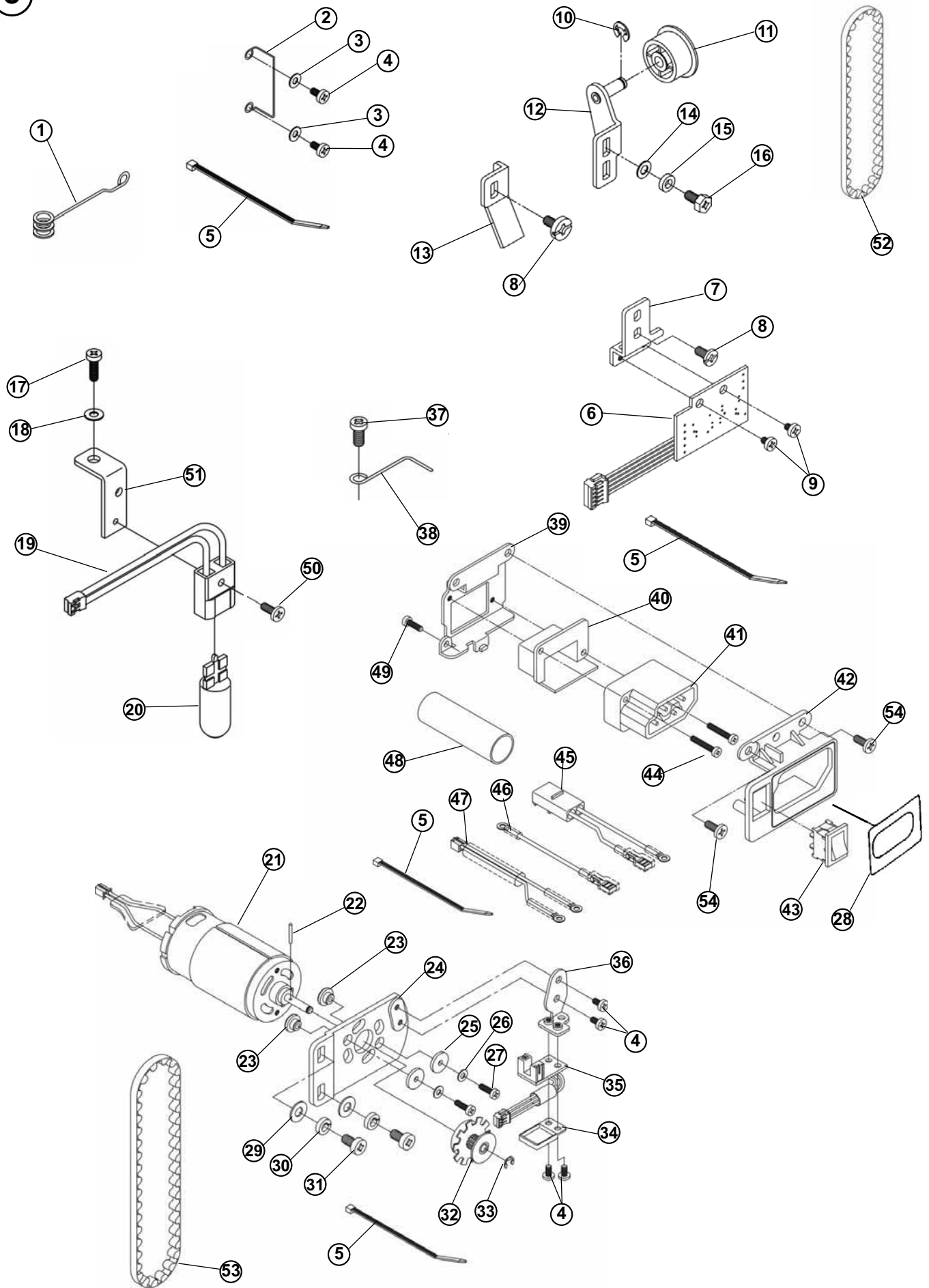
4





ref no. ---	part no. -----	name of parts -----
01	680216007	TENSION SUPPORTER
02	000016010	SCREW
03	000004015	NUT
04	650230004	THREAD GUIDE PIN
05	000011288	SET SCREW
06	650231005	SPRING HOLDER
07	550004004	SPRING
08	650229000	THREAD GUIDE SPRING CATCH
09	380041000	SET SCREW
10	000014007	WASHER
11	680214005	THREAD ADJUSTED FIXATION
12	301008000	SET SCREW
13	000003243	SPRING PIN
14	650228009	FORKED WASHER
15	650037010	THREAD ADJUSTING BUTTON
16	680215006	TENSION ADJUSTED FIXATION
17	000000206	SNAP RING 4D
18	650035007	ELESTICITY ADJUST
19	650034006	SPRING
20	650033005	SPRING FIX PLATE
21	650032004	RELEASE PLATE
22	650031003	TENSION DISC (RIGHT)
23	650030002	TENSION DISC (LEFT)
24	650029008	TENSION SHAFT
25	650249006	FRONT COVER SET PLATE
26	000016032	SCREW
27	680167002	NOISE ABSORBER (A)
28	680168003	NOISE ABSORBER (B)
29	680169004	PIN
30	680005001	Z/Z ROD
31	680010009	ZIGZAG LINK SPRING
32	680504005	CONTACTOR WIRE COMP.
33	680514008	MOTOR CONNECTION WIRE
34	000000309	SNAP RING 5D
35	650045000	WINDING ROD
36	250087002	SET SCREW
37	650041006	WINDING ROD BASE
38	660027007	BOBBIN WINDER SHAFT
39	301022000	BOBBIN WINDER SHAFT PIN
40	353029008	COIL
41	353030002	RUBBER RING
42	000034003	SET SCREW
43	650254004	SPRING
44	650048003	SPRING
45	351047006	BAND
46	680803203	STEPPING MOTOR
47	680025100	ZIGZAG GEAR
48	000003209	SPRING PIN 2.5*8
49	683001006	TUBE
50	680022004	Z/Z MOTOR SUPPORT PLATE
51	680806000	TRANSFORMER COMP.
52	301037008	SET SCREW
53	680167002	NOISE ABSORBER (A)
54	650042007	CLUTCH LINK
55	680024006	Z/Z CONNECTING ROD B
56	301193003	NUT
57	301193003	NUT
58	680023005	Z/Z CONNECTING ROD A
59	680020105	TRANSPORT GEAR
60	680090003	TRANSFER CAM
61	000003601	SPRING PIN 2*12
62	000012315	SNAP PING 5D
63	680092005	CONNECTOR ROD SUPPORTER PLATE
64	680093006	MOTOR SUPPORTER PLATE
65	650179004	SPRING
66	301037008	SET SCREW
67	000003298	PIN
68	683001006	TUBE
69	680018007	TRANSPORT ROD A
70	680019008	TRANSPORT ROD B
71	000016021	SCREW
72	000004015	NUT
73	680091004	BUTTON

5

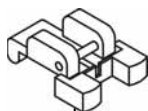


ref no.	part no.	name of parts
---	-----	-----
01	655007005	CABLE FIXTURE
02	680040008	CONNECTED FIXATION
03	000014007	WASHER
04	000016010	SCREW
05	351047006	BAND
06	683814000	POSITION COMP.
07	665001000	UPPER SHAFT FIX PLATE
08	250087002	SET SCREW
09	000016009	SCREW
10	000000206	SNAP RING 4D
11	650084001	BELT TENSION ADJUST PULLEY
12	650083000	ADJUST PULLEY PLATE
13	660093004	BELT STOPPER
14	301009001	WASHER
15	000021007	SPRING WASHER
16	000020051	SET SCREW
17	301037008	SET SCREW
18	301257006	WAVE WASHER
19	680807001	LIGHT CORD COMP.
20	680822002	BULB
21	680801005	MOTOR COMP.
22	000003807	SPRING PIN 2*14
23	680008004	MOTOR WASHER
24	680007003	MOTOR COVER
25	680009005	MOTOR WASHER
26	000014007	WASHER
27	000019138	SET SCREW
28	650235032	RECEPTACLE PLATE
29	000014281	WASHER
30	450063008	SPRING WASHER
31	301143008	SET SCREW
32	301555306	MOTOR PULLEY
33	000000103	SNAP RING 3D
34	665003002	ISOLATED COVER
35	683813009	SPEED SENSE COMP.
36	665002104	SUPPORTER PLATE
38	680038003	CONNECTOR FIXED
39	650207002	RECEPTACLE FIXED PLATED
40	301300005	CONNECTION BOX COVER
41	683805008	RECEPTACLE COMP.
42	650203019	RECEPTACLE BASE
43	655808004	POWER SWITCH
44	000062044	SET SCREW
45	680825005	POWER RECEPTACLE COMP.
46	680826006	POWER WIRE COMP.
47	680827007	WIRE CONNECTER COMP.
48	680082002	PLUG TUBE
49	000011222	SET SCREW
50	000019219	SET SCREW
51	680824004	FIXED PLATE
52	610007006	BELT
53	653127006	BELT
54	000016032	SCREW

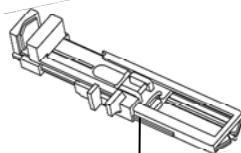
6



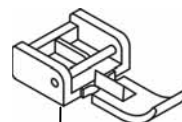
1



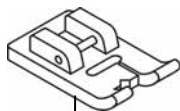
2



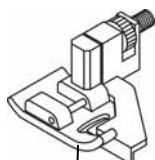
3



4



5



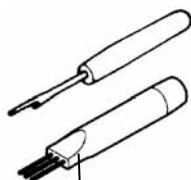
6



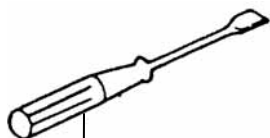
7



8



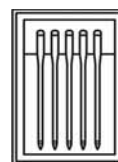
9



10



11



12



13



14



15



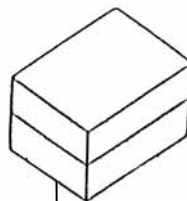
16



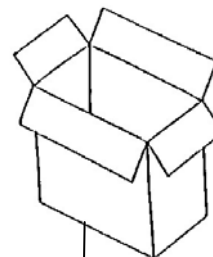
17



18



19



20

ref no. ---	part no. -----	name of parts -----
01	610412008	Z/Z FOOT
02	301406002	BUTTON SEWING FOOT
03	680401001	BH FOOT
04	610411007	ZIPPER FOOT
05	650401008	SATIN STITCH FOOT
06	610410006	BLIND STITCH FOOT
07	610081004	BOBBIN
08	660403001	SCREW DRIVER
09	653410102	SEAM RIPPER & BRUSH
10	301439004	SCREW DRIVER (L)
11	301440008	SCREW DRIVER (S)
12	301652016	NEEDLES
13	610401026	SPOOL PIN PLATE
14	610414022	SPOOL PIN PLATE
15	683802005	FOOT CONTROLLER (FDM )
16	6834xxxxxx	INSTRUCTION MANUAL
17	653406105	THREADING STICKER
18	353435001	DUST COVER
19	665401004	POLYFOAM
20	6837xxxxxx	CARTON



# HSP-6854

高林股份有限公司 KAULIN MFG. CO., LTD.